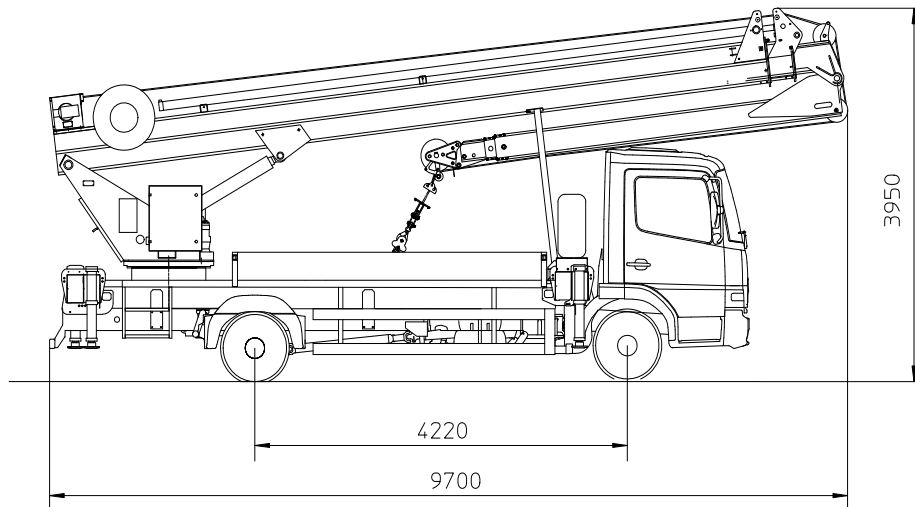


## Böcker-Truck Crane AK 35/3000 PLC

as at 07/2010

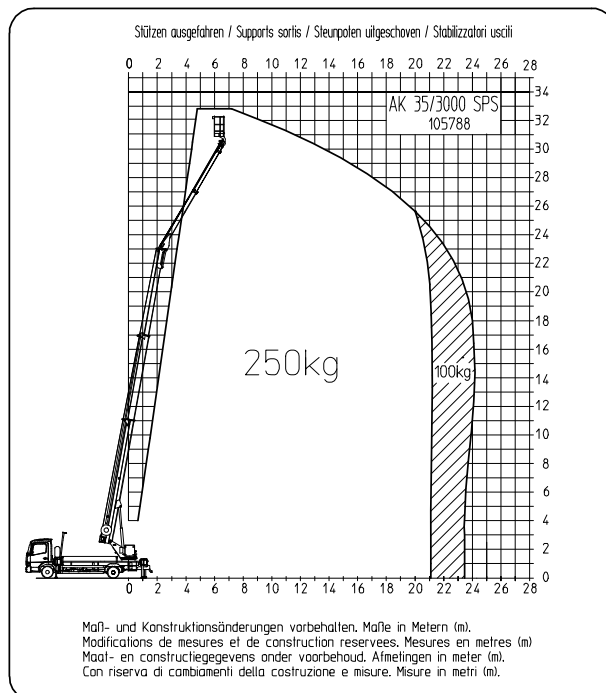
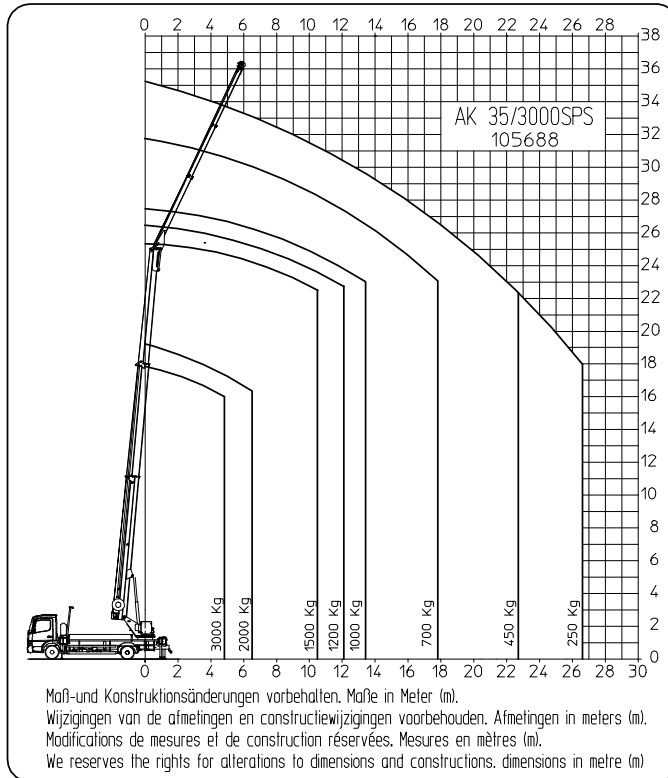


### Dimensions / Specifications

Telescope arm angle	approx. 85 degree	<i>Max. Range of crane operation</i>	
Jib angle	approx. 160 degree	3000 kg Lifting capacity	approx. 4,80 m
Swivel area	approx. 620 degree	1500 kg Lifting capacity	approx. 10,50 m
Working height up to jib	approx. 24,40 m	1200 kg Lifting capacity	approx. 12,10 m
Max. extension length	approx. 34,40 m	1000 kg Lifting capacity	approx. 13,40 m
Extendible Jib		450 kg Lifting capacity	approx. 22,70 m
Basic length	approx. 5,20 m	250 kg Lifting capacity	approx. 26,60 m
max. extendible length	approx. 11,20 m	<i>Max. Range of platform operation</i>	
Current of hydraulic pump	approx. 85 l/min	250 kg Lifting capacity	approx. 21,10 m
Hook speed	approx. 65 m/min	100 kg Lifting capacity	approx. 24,10 m
Support length	approx. 5,40 m	Max. working height	approx. 33,00 m
Support width	approx. 5,55 m		
One-sided support	approx. 3,96 m	<i>Truck Data</i>	
Length vehicle	approx. 9,70 m	Min. wheelbase	4220 mm
Width vehicle	approx. 2,55 m	Gross vehicle weight	7,49 t
Height vehicle	approx. 3,95 m	Max. dead weight	3,30 t
Body weight	approx. 4190 kg	Min. front axle	3,80 t

**All rights reserved for changes in dimension and construction!**

## Work diagram



**All rights reserved for changes in dimension and construction!**