



Telescoping Crawler Crane

LC383M-5

Debut

Lifting Capacity: **2.93t × 1.5m**

Pick & Carry Duties: 1,465kg

Minimal Tail Swing

Blade

4 Fall/2 Fall Hook Block

Available with

Searcher Hook



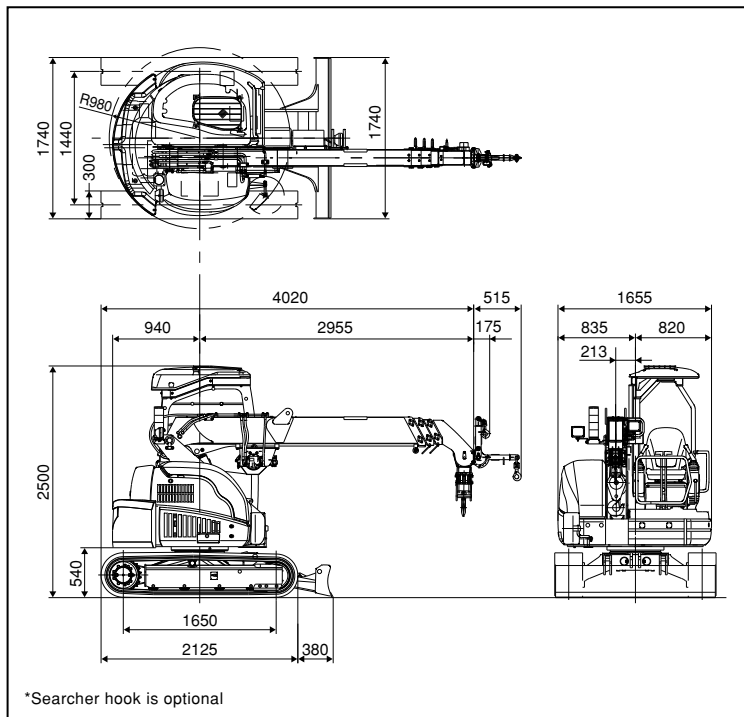
MAEDA

MAEDA Telescoping Crawler Crane LC383M-5

Specifications

Model		LC383M-5
Crane capacity		2.93t × 1.5m
Max. working radius		8.38m × 0.20t
Max. lifting height (on the ground)		9.3m × 1.19t
Max. lifting height (underground)		15.5m × 0.98t
Winch system	Hook speed	19.5m/min (4 falls)
	Hoist wire rope	IWRC 6 × Ws(26) φ8mm × 73m
Telescoping system	Type	Fully automatic 4-section pentagonal telescopic boom
	Boom length	3.18~8.71m
	Boom telescoping stroke / time	5.53m/15.5sec
Boom hoist system	Hoist angle / time	0~80deg/11sec
Swing system	swing angle / time	360deg/2.5rpm
Travel system	Drive method	Both-side independent steering control, Hydraulic piston motor with built-in automatic brake, planet reduction gears, sprocket, crawler
	Travel speed (Lo/High)	2.7/5.0
	Gradability	20
	Crawler ground length × width	1,650 × 300
	Ground pressure	43.5 [0.44]
Engine	Model	Yanmar 3TNV88
	Displacement	1,642 cc
	Rated output	21.5kw/2,400min ⁻¹ [29.2PS/2,400rpm]
	Starting method	Electric starting
	Fuel/Fuel tank capacity	Diesel/42.0
Pick & Carry capacity		1,465kg
Overall length × width × height		4,020 × 1,740 × 2,495
Machine weight		4,400
Blade width × height		1,740 × 355
Safety device	Overwind protection, Hydraulic safety valve, Wire rope latch, Level, Safety lock lever, Side mirrors, Machine body inclination alarm, EMO switch, Moment limiter, Rotary lamp, Data logger, Blade/Crane interlock system	
Optional equipment	Rubber pads, Single fall hook, Searcher hook	

Dimensions



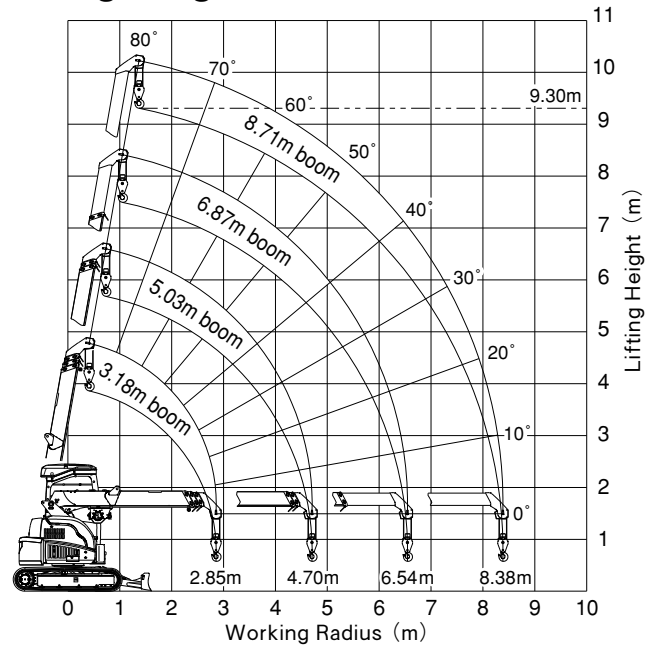
Rated Total Load Chart (4 falls)

unit: kg

Working radius (m)	3.18m Boom		5.03m Boom		6.87m Boom		8.71m Boom	
	Stationary	Pick & Carry	Stationary	Pick & Carry	Stationary	Pick & Carry	Stationary	Pick & Carry
1.50	2930	1465	2930	1465	1870		1190	
2.00	1730	865	1710	855	1710		1190	
2.50	1200	600	1190	595	1190		1190	
2.85	980	490	980	490	980		980	
3.00			900	450	900		900	
3.50			720	360	720		720	
4.00			600	300	600		600	
4.50			500	250	500		500	
4.70			460	230	460	Unusable	460	Unusable
5.00					430		430	
5.50					370		370	
6.00					330		330	
6.54					290		290	
7.00							260	
7.50							235	
8.00							215	
8.38							200	

* The Rated Total Load Chart is based on the actual working radius including boom deflection.
 * The weight of hook block (standard 4 fall/2 fall-30kg) must be included as part of the load shown in the Rated Total Load Chart.
 * When using two fall or single fall hooks, use the appropriate four fall Rated Total Load Chart above but with a maximum load of : Two fall-1480kg, Single fall-750kg.

Working Range



Rated Total Load Chart For Searcher Hook (Optional)

unit: kg

Working Radius (m)	Boom Length			
	3.18m Boom	5.03m Boom	6.87m Boom	8.71m Boom
2.85	500	500	500	500
4.00		440	430	430
4.50		370	370	370
4.70		350	350	350
5.00			320	320
5.50			280	280
6.00			250	250
6.54			220	220
7.00				200
7.50				180
8.00				160
8.38				150

Before use, please read the Operation Manual

Due to improvements, the specifications are subject to change without notice.

