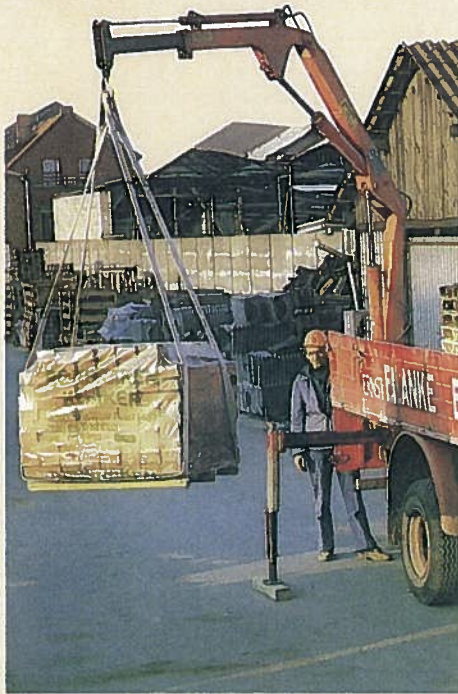


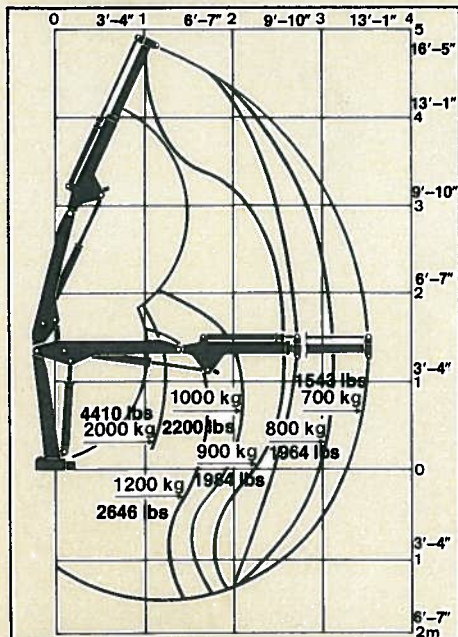
Various mechanical lifting attachments, such as this pallet fork, are available for the HIAB 250.

In the AU version the HIAB 250 can also be mounted at the back end of the truck bed.



Technical data HIAB 250 18,071 ft.-lbs. capacity rating

	HIAB 250 AE	HIAB 250 AUE
Hydraulic outreach, standard	8'9"	11'6"
Travel of hydraulic extension	-	2'7", 8'9"-11'6"
Outreach, manual extensions standard	11'6", 8'9"-11'6"	
optional	13'2", 11'6"-13'2"	13'2", 11'6"-13'2"
Lifting height above mounting surface approx.	15'8"	15'8"
Outreach/lifting performance	4'1"-4410 lbs. 4'11"-3640 lbs. 6'7"-2760 lbs. 8'9"-1987 lbs. 11'6"-1543 lbs. 13'2"-1320 lbs.	4'1"-4410 lbs. 4'11"-3640 lbs. 6'7"-2760 lbs. 8'9"-1987 lbs. 11'6"-1543 lbs. 13'2"-1320 lbs.
Slewing angle	340°	340°
Slewing torque	2168 ft.-lbs.	2168 ft.-lbs.
Height of crane, parked	5'5"	5'5"
Width of crane, parked	5'9"	5'9"
Weight incl. one manual support leg, tank less oil	935 lbs.	979 lbs.



HIAB Crane & Loaders, Inc.

R.D. 22. Interchange Place
York, Pennsylvania 17402
(717) 767-6556