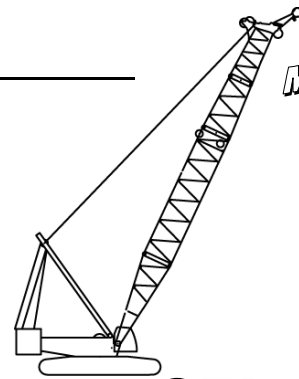




Liftcrane Boom Capacities

Boom No. 58 HL
332,000 lb Crane Counterweight
120,000 lb Carbody Counterweight
Crawler Machine on a Barge
0 Degree thru 3 Degree Machine List
No Travel - 360 Degree Rating - Two Swing Drives



16000 SERIES 3

LIFTING CAPACITIES: Lifting capacities are for a crawler machine when operating on a barge. Machine shall be positively secured to prevent shifting. Lifting capacities for various boom lengths and operating radii are for freely suspended loads and do not exceed 75% of a static tipping load. Capacities based on structural competence are denoted by an asterisk (*).

Standard upper boom point capacity for liftcrane service with single part whip line is 30,000 lb or 60,000 lb with two part whip line. In all cases, upper boom point capacities cannot exceed those listed for main boom capacity.

Weight of all load blocks, hooks, weight ball, slings, hoist lines, etc., beneath boom point sheaves, is considered part of main boom load. Boom is not to be lowered beyond radii where combined weights are greater than rated capacity. Where no capacity is shown, operation is not intended or approved.

OPERATING CONDITIONS: Machine to operate on a firm uniformly supporting surface with machine list not to exceed degrees noted. Refer to boom rigging **No. A10415**, Wire Rope Specification chart **No. 8674-A**, Counterweight Arrangement chart **No. 8682-A** and Wind Conditions chart **No. 8688-A**. Crane operator judgment must be used to allow for dynamic load effects of swinging, hoisting or lowering, wind conditions, as well as adverse operating conditions and physical machine depreciation. Refer to Operator's Manual for operating guidelines.

OPERATING RADIUS: Operating radius is horizontal distance from axis of rotation at barge deck to center of vertical hoist line or load block.

BOOM ANGLE: Boom angle in degrees ($^{\circ}$) is angle between horizontal and centerline of boom butt and inserts, and is an indication of operating radius. In all cases, operating radius shall govern capacity.

BOOM POINT ELEVATION: Boom point elevation is vertical distance from barge deck to centerline of boom point shaft

MACHINE EQUIPMENT: Machine equipped with two swing drives, 34 ft crawlers, 60 in. treads, 32 ft live mast, 26 part boom hoist reeving, boom support straps, 332,000 lb crane counterweight, two 30,000 lb and four 15,000 lb carbody counterweights.

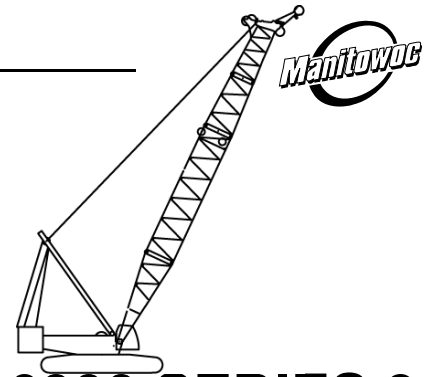
| Maximum Boom Lengths Lifted Unassisted | | |
|--|------------------------------|-----------------------|
| List | Over End of Blocked Crawlers | Over Side of Crawlers |
| | Boom Length | Boom Length |
| 0 Degree | (a) 315.0 ft | 275.6 ft |
| 1 Degree | 295.3 ft | 275.6 ft |
| 2 Degree | 295.3 ft | 275.6 ft |
| 3 Degree | 295.3 ft | 275.6 ft |

Load block, hook and weight ball on barge deck at start.
(a) Upper boom point cannot be used on 315.0 ft boom.

| Third Line Deduct |
|--|
| Deduct 500 lb from boom capacities when boom is equipped for three line operation. |

Liftcrane Boom Capacities

Boom No. 58 HL
332,000 lb Crane Counterweight
120,000 lb Carbody Counterweight
Crawler Machine on a Barge
0 Degree thru 3 Degree Machine List
No Travel - 360 Degree Rating - Two Swing Drives



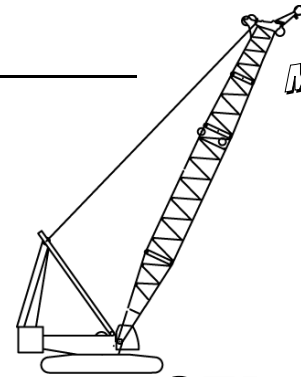
16000 SERIES 3

| Oper. Radius Feet | Boom Angle Deg. | Boom Point Elev. Feet | 0 Degree List Boom Capacity Pounds | 1 Degree List Boom Capacity Pounds | 2 Degree List Boom Capacity Pounds | 3 Degree List Boom Capacity Pounds | Oper. Radius Feet |
|-------------------|-----------------|-----------------------|------------------------------------|------------------------------------|------------------------------------|------------------------------------|-------------------|
| 98.4 ft | | | | | | | |
| 21 | 82.9 | 106.0 | 881,900 * | | | | 21 |
| 22 | 82.3 | 105.8 | 845,400 * | | | | 22 |
| 24 | 81.1 | 105.4 | 778,200 * | 669,400 * | | | 24 |
| 26 | 79.9 | 105.0 | 720,500 * | 661,300 * | 515,400 * | 399,500 * | 26 |
| 28 | 78.7 | 104.6 | 670,500 * | 626,700 * | 515,100 * | 399,300 * | 28 |
| 30 | 77.5 | 104.1 | 625,700 * | 582,600 * | 514,800 * | 399,100 * | 30 |
| 32 | 76.3 | 103.5 | 581,700 * | 544,100 * | 500,900 | 399,000 * | 32 |
| 34 | 75.1 | 102.9 | 543,200 * | 499,600 | 459,100 | 398,800 * | 34 |
| 36 | 73.9 | 102.3 | 495,400 | 458,000 | 423,300 | 392,900 | 36 |
| 38 | 72.7 | 101.6 | 454,300 | 422,400 | 392,500 | 365,900 | 38 |
| 40 | 71.4 | 100.8 | 419,100 | 391,600 | 365,500 | 342,200 | 40 |
| 45 | 68.3 | 98.8 | 349,900 | 330,300 | 311,100 | 293,600 | 45 |
| 50 | 65.1 | 96.4 | 299,100 | 284,400 | 269,800 | 256,300 | 50 |
| 55 | 61.7 | 93.6 | 260,100 | 248,900 | 237,400 | 226,600 | 55 |
| 60 | 58.3 | 90.5 | 229,300 | 220,400 | 211,200 | 202,600 | 60 |
| 65 | 54.7 | 86.9 | 204,300 | 197,200 | 189,700 | 182,600 | 65 |
| 70 | 50.9 | 82.8 | 183,600 | 177,900 | 171,700 | 165,800 | 70 |
| 75 | 46.9 | 78.1 | 166,200 | 161,500 | 156,400 | 151,500 | 75 |
| 80 | 42.6 | 72.6 | 151,400 | 147,500 | 143,200 | 139,100 | 80 |
| 85 | 37.9 | 66.2 | 138,500 | 135,300 | 131,800 | 128,400 | 85 |
| 90 | 32.6 | 58.5 | 127,200 | 124,600 | 121,700 | 118,900 | 90 |
| 95 | 26.2 | 48.8 | 117,200 | 115,100 | 112,800 | 110,500 | 95 |
| 100 | 17.6 | 34.8 | 108,200 | 106,700 | 104,900 | 103,200 | 100 |



Liftcrane Boom Capacities

Boom No. 58 HL
332,000 lb Crane Counterweight
120,000 lb Carbody Counterweight
Crawler Machine on a Barge
0 Degree thru 3 Degree Machine List
No Travel - 360 Degree Rating - Two Swing Drives

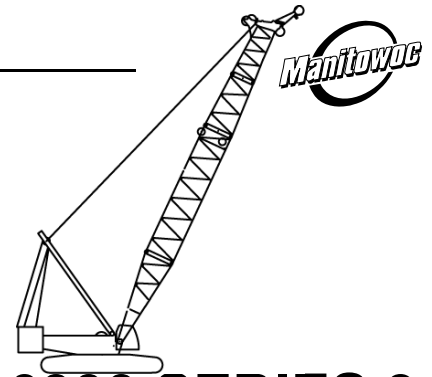


16000 SERIES 3

| Oper. Radius Feet | Boom Angle Deg. | Boom Point Elev. Feet | 0 Degree List Boom Capacity Pounds | 1 Degree List Boom Capacity Pounds | 2 Degree List Boom Capacity Pounds | 3 Degree List Boom Capacity Pounds | Oper. Radius Feet |
|-------------------|-----------------|-----------------------|------------------------------------|------------------------------------|------------------------------------|------------------------------------|-------------------|
| 118.1 ft | | | | | | | |
| 24 | 82.6 | 125.4 | 775,000 * | | | | 24 |
| 26 | 81.6 | 125.1 | 719,300 * | 597,300 * | | | 26 |
| 28 | 80.6 | 124.7 | 669,300 * | 590,200 * | 484,500 * | | 28 |
| 30 | 79.6 | 124.3 | 625,000 * | 574,800 * | 483,700 * | 379,300 * | 30 |
| 32 | 78.7 | 123.8 | 581,000 * | 537,100 * | 482,900 * | 378,800 * | 32 |
| 34 | 77.7 | 123.3 | 542,500 * | 492,600 | 446,400 | 378,300 * | 34 |
| 36 | 76.7 | 122.8 | 496,300 | 452,000 | 412,300 | 377,900 * | 36 |
| 38 | 75.6 | 122.2 | 455,000 | 417,200 | 382,800 | 353,000 | 38 |
| 40 | 74.6 | 121.6 | 419,700 | 387,100 | 357,000 | 330,600 | 40 |
| 45 | 72.1 | 120.0 | 350,300 | 326,900 | 304,600 | 284,700 | 45 |
| 50 | 69.5 | 118.0 | 299,400 | 281,800 | 264,600 | 249,100 | 50 |
| 55 | 66.8 | 115.8 | 260,400 | 246,700 | 233,100 | 220,700 | 55 |
| 60 | 64.1 | 113.4 | 229,500 | 218,700 | 207,700 | 197,500 | 60 |
| 65 | 61.3 | 110.6 | 204,500 | 195,700 | 186,700 | 178,200 | 65 |
| 70 | 58.5 | 107.5 | 183,800 | 176,600 | 169,000 | 162,000 | 70 |
| 75 | 55.5 | 104.0 | 166,400 | 160,400 | 154,000 | 148,000 | 75 |
| 80 | 52.5 | 100.1 | 151,500 | 146,500 | 141,100 | 136,000 | 80 |
| 85 | 49.3 | 95.8 | 138,700 | 134,400 | 129,800 | 125,400 | 85 |
| 90 | 45.9 | 90.9 | 127,500 | 123,900 | 119,900 | 116,100 | 90 |
| 95 | 42.3 | 85.4 | 117,600 | 114,500 | 111,200 | 107,900 | 95 |
| 100 | 38.4 | 79.1 | 108,900 | 106,200 | 103,300 | 100,500 | 100 |
| 105 | 34.1 | 71.7 | 101,000 | 98,800 | 96,300 | 93,900 | 105 |
| 110 | 29.2 | 63.0 | 93,900 | 92,100 | 90,000 | 87,900 | 110 |
| 115 | 23.3 | 52.0 | 87,400 | 85,900 | 84,200 | 82,500 | 115 |
| 120 | 15.2 | 36.0 | 81,500 | 80,300 | 79,000 | 77,700 | 120 |

Liftcrane Boom Capacities

Boom No. 58 HL
332,000 lb Crane Counterweight
120,000 lb Carbody Counterweight
Crawler Machine on a Barge
0 Degree thru 3 Degree Machine List
No Travel - 360 Degree Rating - Two Swing Drives



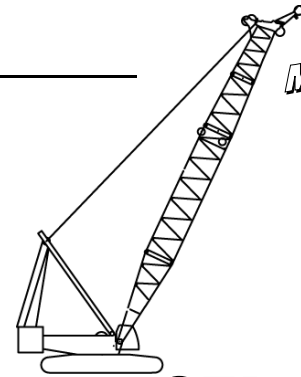
16000 SERIES 3

| Oper. Radius Feet | Boom Angle Deg. | Boom Point Elev. Feet | 0 Degree List Boom Capacity Pounds | 1 Degree List Boom Capacity Pounds | 2 Degree List Boom Capacity Pounds | 3 Degree List Boom Capacity Pounds | Oper. Radius Feet |
|-------------------|-----------------|-----------------------|------------------------------------|------------------------------------|------------------------------------|------------------------------------|-------------------|
| 137.8 ft | | | | | | | |
| 26 | 82.8 | 145.0 | 625,700 * | | | | 26 |
| 28 | 82.0 | 144.7 | 619,400 * | 489,600 * | | | 28 |
| 30 | 81.1 | 144.3 | 614,000 * | 485,700 * | | | 30 |
| 32 | 80.3 | 143.9 | 580,800 * | 482,000 * | 429,200 * | | 32 |
| 34 | 79.5 | 143.5 | 542,300 * | 466,100 * | 415,200 * | 365,500 * | 34 |
| 36 | 78.6 | 143.1 | 497,200 | 446,300 | 401,800 * | 359,100 * | 36 |
| 38 | 77.7 | 142.6 | 455,800 | 412,300 | 373,900 | 341,200 | 38 |
| 40 | 76.9 | 142.1 | 420,500 | 382,900 | 349,100 | 320,100 | 40 |
| 45 | 74.7 | 140.7 | 351,000 | 323,800 | 298,700 | 276,500 | 45 |
| 50 | 72.5 | 139.1 | 299,900 | 279,500 | 260,000 | 242,600 | 50 |
| 55 | 70.3 | 137.2 | 260,800 | 244,900 | 229,400 | 215,400 | 55 |
| 60 | 68.1 | 135.2 | 229,900 | 217,200 | 204,600 | 193,100 | 60 |
| 65 | 65.8 | 132.9 | 204,900 | 194,500 | 184,100 | 174,500 | 65 |
| 70 | 63.5 | 130.3 | 184,200 | 175,600 | 166,800 | 158,700 | 70 |
| 75 | 61.1 | 127.5 | 166,700 | 159,600 | 152,100 | 145,200 | 75 |
| 80 | 58.6 | 124.4 | 151,900 | 145,800 | 139,400 | 133,400 | 80 |
| 85 | 56.1 | 121.0 | 139,100 | 133,900 | 128,300 | 123,100 | 85 |
| 90 | 53.5 | 117.3 | 127,900 | 123,400 | 118,600 | 114,100 | 90 |
| 95 | 50.8 | 113.2 | 118,000 | 114,100 | 110,000 | 106,000 | 95 |
| 100 | 48.0 | 108.7 | 109,300 | 105,900 | 102,300 | 98,700 | 100 |
| 105 | 45.1 | 103.7 | 101,500 | 98,500 | 95,300 | 92,200 | 105 |
| 110 | 42.0 | 98.1 | 94,500 | 91,900 | 89,100 | 86,300 | 110 |
| 115 | 38.7 | 91.8 | 88,100 | 85,900 | 83,400 | 81,000 | 115 |
| 120 | 35.1 | 84.8 | 82,300 | 80,400 | 78,200 | 76,100 | 120 |
| 125 | 31.1 | 76.6 | 77,000 | 75,400 | 73,500 | 71,600 | 125 |
| 130 | 26.5 | 66.9 | 72,100 | 70,700 | 69,100 | 67,500 | 130 |
| 135 | 21.0 | 54.6 | 67,600 | 66,400 | 65,100 | 63,800 | 135 |



Liftcrane Boom Capacities

Boom No. 58 HL
 332,000 lb Crane Counterweight
 120,000 lb Carbody Counterweight
 Crawler Machine on a Barge
 0 Degree thru 3 Degree Machine List
 No Travel - 360 Degree Rating - Two Swing Drives

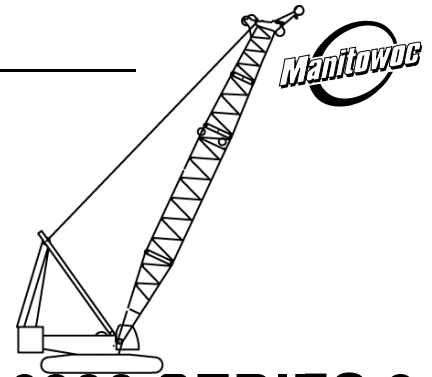


16000 SERIES 3

| Oper. Radius Feet | Boom Angle Deg. | Boom Point Elev. Feet | 0 Degree List Boom Capacity Pounds | 1 Degree List Boom Capacity Pounds | 2 Degree List Boom Capacity Pounds | 3 Degree List Boom Capacity Pounds | Oper. Radius Feet |
|-------------------|-----------------|-----------------------|------------------------------------|------------------------------------|------------------------------------|------------------------------------|-------------------|
| 157.5 ft | | | | | | | |
| 28 | 83.0 | 164.6 | 597,000 * | | | | 28 |
| 30 | 82.3 | 164.3 | 592,900 * | | | | 30 |
| 32 | 81.5 | 164.0 | 579,600 * | 444,000 * | | | 32 |
| 34 | 80.8 | 163.6 | 541,100 * | 429,300 * | 376,400 * | | 34 |
| 36 | 80.0 | 163.2 | 497,300 | 415,400 * | 366,500 * | | 36 |
| 38 | 79.3 | 162.8 | 455,800 | 402,100 * | 355,900 * | 313,200 * | 38 |
| 40 | 78.6 | 162.4 | 420,400 | 377,900 | 340,700 | 308,200 * | 40 |
| 45 | 76.7 | 161.1 | 350,700 | 319,900 | 292,000 | 268,000 | 45 |
| 50 | 74.8 | 159.7 | 299,500 | 276,200 | 254,600 | 235,500 | 50 |
| 55 | 72.9 | 158.2 | 260,300 | 242,100 | 224,800 | 209,400 | 55 |
| 60 | 71.0 | 156.4 | 229,300 | 214,800 | 200,600 | 187,900 | 60 |
| 65 | 69.0 | 154.4 | 204,200 | 192,300 | 180,600 | 169,900 | 65 |
| 70 | 67.0 | 152.3 | 183,400 | 173,600 | 163,700 | 154,600 | 70 |
| 75 | 65.0 | 149.9 | 166,000 | 157,700 | 149,200 | 141,400 | 75 |
| 80 | 63.0 | 147.3 | 151,100 | 144,000 | 136,700 | 130,000 | 80 |
| 85 | 60.9 | 144.5 | 138,300 | 132,200 | 125,900 | 119,900 | 85 |
| 90 | 58.7 | 141.4 | 127,100 | 121,800 | 116,300 | 111,000 | 90 |
| 95 | 56.6 | 138.1 | 117,200 | 112,600 | 107,700 | 103,100 | 95 |
| 100 | 54.3 | 134.4 | 108,500 | 104,400 | 100,100 | 96,000 | 100 |
| 105 | 52.0 | 130.5 | 100,700 | 97,100 | 93,300 | 89,700 | 105 |
| 110 | 49.6 | 126.2 | 93,700 | 90,500 | 87,100 | 83,900 | 110 |
| 115 | 47.1 | 121.5 | 87,300 | 84,500 | 81,500 | 78,600 | 115 |
| 120 | 44.5 | 116.4 | 81,600 | 79,100 | 76,400 | 73,800 | 120 |
| 125 | 41.8 | 110.8 | 76,300 | 74,100 | 71,700 | 69,300 | 125 |
| 130 | 38.9 | 104.6 | 71,500 | 69,500 | 67,400 | 65,300 | 130 |
| 135 | 35.8 | 97.7 | 67,000 | 65,300 | 63,400 | 61,500 | 135 |
| 140 | 32.4 | 89.9 | 62,900 | 61,400 | 59,700 | 58,000 | 140 |
| 145 | 28.7 | 81.0 | 59,100 | 57,800 | 56,300 | 54,800 | 145 |
| 150 | 24.4 | 70.3 | 55,500 | 54,400 | 53,100 | 51,800 | 150 |
| 155 | 19.2 | 56.9 | 52,100 | 51,200 | 50,100 | 49,000 | 155 |

Liftcrane Boom Capacities

Boom No. 58 HL
332,000 lb Crane Counterweight
120,000 lb Carbody Counterweight
Crawler Machine on a Barge
0 Degree thru 3 Degree Machine List
No Travel - 360 Degree Rating - Two Swing Drives



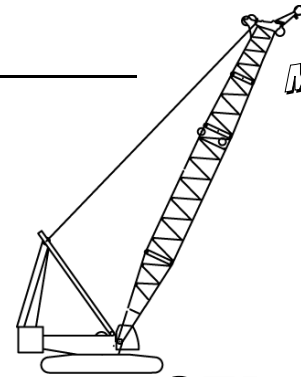
16000 SERIES 3

| Oper. Radius Feet | Boom Angle Deg. | Boom Point Elev. Feet | 0 Degree List Boom Capacity Pounds | 1 Degree List Boom Capacity Pounds | 2 Degree List Boom Capacity Pounds | 3 Degree List Boom Capacity Pounds | Oper. Radius Feet |
|-------------------|-----------------|-----------------------|------------------------------------|------------------------------------|------------------------------------|------------------------------------|-------------------|
| 177.2 ft | | | | | | | |
| 32 | 82.5 | 183.9 | 483,000 * | | | | 32 |
| 34 | 81.8 | 183.6 | 467,100 * | 364,800 * | | | 34 |
| 36 | 81.2 | 183.2 | 451,800 * | 354,300 * | | | 36 |
| 38 | 80.5 | 182.9 | 437,300 * | 344,100 * | 298,300 * | | 38 |
| 40 | 79.9 | 182.5 | 420,400 | 334,400 * | 290,700 * | 257,400 * | 40 |
| 45 | 78.2 | 181.4 | 350,600 | 311,700 * | 272,800 * | 242,700 * | 45 |
| 50 | 76.5 | 180.2 | 299,300 | 273,300 | 249,600 | 229,100 | 50 |
| 55 | 74.9 | 178.8 | 260,000 | 239,700 | 220,700 | 204,000 | 55 |
| 60 | 73.2 | 177.2 | 229,000 | 212,700 | 197,100 | 183,200 | 60 |
| 65 | 71.5 | 175.5 | 203,900 | 190,500 | 177,500 | 165,800 | 65 |
| 70 | 69.7 | 173.6 | 183,100 | 171,900 | 161,000 | 151,000 | 70 |
| 75 | 68.0 | 171.6 | 165,600 | 156,200 | 146,800 | 138,200 | 75 |
| 80 | 66.2 | 169.3 | 150,700 | 142,600 | 134,500 | 127,000 | 80 |
| 85 | 64.4 | 166.9 | 137,800 | 130,900 | 123,800 | 117,200 | 85 |
| 90 | 62.6 | 164.3 | 126,600 | 120,600 | 114,400 | 108,600 | 90 |
| 95 | 60.7 | 161.4 | 116,700 | 111,500 | 106,000 | 100,800 | 95 |
| 100 | 58.8 | 158.4 | 108,000 | 103,400 | 98,500 | 93,900 | 100 |
| 105 | 56.9 | 155.1 | 100,200 | 96,100 | 91,700 | 87,600 | 105 |
| 110 | 54.9 | 151.5 | 93,200 | 89,500 | 85,600 | 81,900 | 110 |
| 115 | 52.9 | 147.7 | 86,900 | 83,600 | 80,100 | 76,700 | 115 |
| 120 | 50.8 | 143.6 | 81,100 | 78,200 | 75,000 | 72,000 | 120 |
| 125 | 48.6 | 139.2 | 75,900 | 73,200 | 70,400 | 67,600 | 125 |
| 130 | 46.4 | 134.4 | 71,100 | 68,700 | 66,100 | 63,600 | 130 |
| 135 | 44.1 | 129.2 | 66,600 | 64,500 | 62,200 | 59,900 | 135 |
| 140 | 41.6 | 123.6 | 62,500 | 60,600 | 58,500 | 56,500 | 140 |
| 145 | 39.1 | 117.4 | 58,800 | 57,000 | 55,100 | 53,300 | 145 |
| 150 | 36.3 | 110.6 | 55,200 | 53,700 | 52,000 | 50,300 | 150 |
| 155 | 33.4 | 103.1 | 52,000 | 50,600 | 49,000 | 47,500 | 155 |
| 160 | 30.2 | 94.7 | 48,900 | 47,600 | 46,200 | 44,900 | 160 |
| 165 | 26.7 | 84.9 | 46,000 | 44,900 | 43,700 | 42,400 | 165 |
| 170 | 22.6 | 73.4 | 43,200 | 42,300 | 41,200 | 40,200 | 170 |
| 175 | 17.6 | 58.8 | 40,600 | 39,800 | 38,900 | 38,000 | 175 |



Liftcrane Boom Capacities

Boom No. 58 HL
 332,000 lb Crane Counterweight
 120,000 lb Carbody Counterweight
 Crawler Machine on a Barge
 0 Degree thru 3 Degree Machine List
 No Travel - 360 Degree Rating - Two Swing Drives

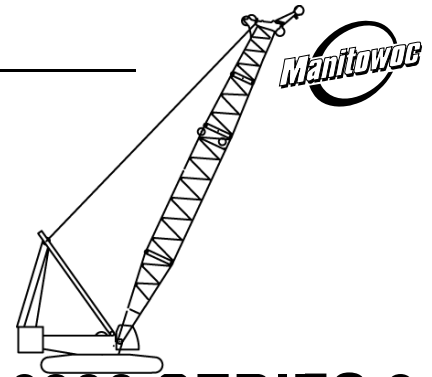


16000 SERIES 3

| Oper. Radius Feet | Boom Angle Deg. | Boom Point Elev. Feet | 0 Degree List Boom Capacity Pounds | 1 Degree List Boom Capacity Pounds | 2 Degree List Boom Capacity Pounds | 3 Degree List Boom Capacity Pounds | Oper. Radius Feet |
|-------------------|-----------------|-----------------------|------------------------------------|------------------------------------|------------------------------------|------------------------------------|-------------------|
| 196.9 ft | | | | | | | |
| 34 | 82.6 | 203.5 | 435,600 * | | | | 34 |
| 36 | 82.1 | 203.2 | 422,500 * | | | | 36 |
| 38 | 81.5 | 202.9 | 409,700 * | 321,700 * | | | 38 |
| 40 | 80.9 | 202.5 | 397,400 * | 313,200 * | 270,600 * | | 40 |
| 45 | 79.4 | 201.6 | 350,000 | 293,000 * | 254,800 * | 225,500 * | 45 |
| 50 | 77.9 | 200.4 | 298,600 | 269,900 | 240,000 * | 213,400 * | 50 |
| 55 | 76.4 | 199.2 | 259,200 | 236,700 | 216,100 | 198,200 | 55 |
| 60 | 74.9 | 197.8 | 228,100 | 210,000 | 193,100 | 178,100 | 60 |
| 65 | 73.4 | 196.3 | 202,900 | 188,000 | 173,900 | 161,300 | 65 |
| 70 | 71.8 | 194.6 | 182,000 | 169,600 | 157,700 | 146,800 | 70 |
| 75 | 70.3 | 192.8 | 164,500 | 154,000 | 143,700 | 134,400 | 75 |
| 80 | 68.7 | 190.8 | 149,600 | 140,600 | 131,700 | 123,500 | 80 |
| 85 | 67.1 | 188.7 | 136,700 | 128,900 | 121,100 | 114,000 | 85 |
| 90 | 65.5 | 186.4 | 125,500 | 118,700 | 111,800 | 105,500 | 90 |
| 95 | 63.9 | 183.9 | 115,600 | 109,600 | 103,600 | 97,900 | 95 |
| 100 | 62.3 | 181.2 | 106,800 | 101,600 | 96,100 | 91,100 | 100 |
| 105 | 60.6 | 178.4 | 99,000 | 94,300 | 89,500 | 84,900 | 105 |
| 110 | 58.9 | 175.3 | 92,000 | 87,800 | 83,500 | 79,300 | 110 |
| 115 | 57.2 | 172.1 | 85,600 | 81,900 | 78,000 | 74,200 | 115 |
| 120 | 55.4 | 168.6 | 79,900 | 76,500 | 73,000 | 69,500 | 120 |
| 125 | 53.6 | 164.9 | 74,600 | 71,600 | 68,400 | 65,300 | 125 |
| 130 | 51.7 | 160.9 | 69,800 | 67,100 | 64,100 | 61,300 | 130 |
| 135 | 49.8 | 156.6 | 65,400 | 62,900 | 60,200 | 57,600 | 135 |
| 140 | 47.8 | 152.1 | 61,300 | 59,100 | 56,600 | 54,200 | 140 |
| 145 | 45.8 | 147.2 | 57,500 | 55,500 | 53,200 | 51,100 | 145 |
| 150 | 43.7 | 142.0 | 54,000 | 52,200 | 50,100 | 48,100 | 150 |
| 155 | 41.5 | 136.3 | 50,800 | 49,100 | 47,200 | 45,300 | 155 |
| 160 | 39.2 | 130.2 | 47,700 | 46,200 | 44,400 | 42,800 | 160 |
| 165 | 36.8 | 123.5 | 44,800 | 43,400 | 41,900 | 40,300 | 165 |
| 170 | 34.2 | 116.2 | 42,200 | 40,900 | 39,500 | 38,100 | 170 |
| 175 | 31.4 | 108.1 | 39,600 | 38,500 | 37,200 | 35,900 | 175 |
| 180 | 28.4 | 99.0 | 37,200 | 36,200 | 35,000 | 33,900 | 180 |
| 185 | 25.0 | 88.6 | 35,000 | 34,000 | 33,000 | 32,000 | 185 |
| 190 | 21.1 | 76.2 | 32,800 | 32,000 | 31,100 | 30,200 | 190 |
| 195 | 16.3 | 60.4 | 30,700 | 30,000 | 29,200 | 28,500 | 195 |

Liftcrane Boom Capacities

Boom No. 58 HL
332,000 lb Crane Counterweight
120,000 lb Carbody Counterweight
Crawler Machine on a Barge
0 Degree thru 3 Degree Machine List
No Travel - 360 Degree Rating - Two Swing Drives



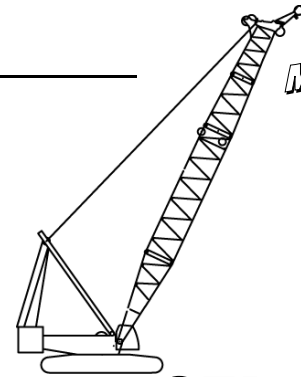
16000 SERIES 3

| Oper. Radius Feet | Boom Angle Deg. | Boom Point Elev. Feet | 0 Degree List Boom Capacity Pounds | 1 Degree List Boom Capacity Pounds | 2 Degree List Boom Capacity Pounds | 3 Degree List Boom Capacity Pounds | Oper. Radius Feet |
|-------------------|-----------------|-----------------------|------------------------------------|------------------------------------|------------------------------------|------------------------------------|-------------------|
| 216.5 ft | | | | | | | |
| 36 | 82.8 | 223.1 | 368,600 * | | | | 36 |
| 38 | 82.3 | 222.8 | 358,600 * | | | | 38 |
| 40 | 81.7 | 222.5 | 348,900 * | 268,300 * | | | 40 |
| 45 | 80.4 | 221.6 | 325,900 * | 252,400 * | 215,600 * | | 45 |
| 50 | 79.0 | 220.6 | 298,100 | 237,600 * | 204,100 * | 178,800 * | 50 |
| 55 | 77.7 | 219.5 | 258,600 | 223,800 * | 193,200 * | 169,800 * | 55 |
| 60 | 76.3 | 218.2 | 227,500 | 207,600 | 183,000 * | 161,400 * | 60 |
| 65 | 74.9 | 216.9 | 202,200 | 185,900 | 170,600 | 153,400 * | 65 |
| 70 | 73.6 | 215.4 | 181,300 | 167,700 | 154,700 | 143,200 | 70 |
| 75 | 72.2 | 213.7 | 163,800 | 152,200 | 141,100 | 131,000 | 75 |
| 80 | 70.8 | 211.9 | 148,800 | 138,900 | 129,200 | 120,400 | 80 |
| 85 | 69.3 | 210.0 | 135,900 | 127,300 | 118,900 | 111,100 | 85 |
| 90 | 67.9 | 208.0 | 124,600 | 117,200 | 109,700 | 102,800 | 90 |
| 95 | 66.5 | 205.8 | 114,800 | 108,200 | 101,500 | 95,400 | 95 |
| 100 | 65.0 | 203.4 | 106,000 | 100,200 | 94,200 | 88,700 | 100 |
| 105 | 63.5 | 200.9 | 98,200 | 93,000 | 87,600 | 82,700 | 105 |
| 110 | 62.0 | 198.2 | 91,100 | 86,500 | 81,700 | 77,200 | 110 |
| 115 | 60.5 | 195.3 | 84,800 | 80,600 | 76,300 | 72,200 | 115 |
| 120 | 58.9 | 192.3 | 79,000 | 75,300 | 71,300 | 67,600 | 120 |
| 125 | 57.4 | 189.1 | 73,800 | 70,400 | 66,800 | 63,300 | 125 |
| 130 | 55.8 | 185.6 | 69,000 | 65,900 | 62,600 | 59,400 | 130 |
| 135 | 54.1 | 182.0 | 64,500 | 61,700 | 58,700 | 55,800 | 135 |
| 140 | 52.5 | 178.1 | 60,500 | 57,900 | 55,100 | 52,500 | 140 |
| 145 | 50.7 | 174.0 | 56,700 | 54,300 | 51,800 | 49,300 | 145 |
| 150 | 49.0 | 169.6 | 53,200 | 51,000 | 48,700 | 46,400 | 150 |
| 155 | 47.2 | 165.0 | 49,900 | 47,900 | 45,800 | 43,700 | 155 |
| 160 | 45.3 | 160.0 | 46,900 | 45,100 | 43,100 | 41,100 | 160 |
| 165 | 43.4 | 154.7 | 44,000 | 42,400 | 40,500 | 38,700 | 165 |
| 170 | 41.4 | 149.1 | 41,300 | 39,800 | 38,100 | 36,500 | 170 |
| 175 | 39.3 | 142.9 | 38,800 | 37,400 | 35,900 | 34,300 | 175 |
| 180 | 37.1 | 136.4 | 36,500 | 35,200 | 33,700 | 32,300 | 180 |
| 185 | 34.8 | 129.2 | 34,200 | 33,000 | 31,700 | 30,400 | 185 |
| 190 | 32.3 | 121.4 | 32,100 | 31,000 | 29,800 | 28,600 | 190 |
| 195 | 29.7 | 112.7 | 30,100 | 29,100 | 28,000 | 26,900 | 195 |
| 200 | 26.8 | 103.0 | 28,200 | 27,300 | 26,300 | 25,300 | 200 |
| 205 | 23.6 | 91.8 | 26,300 | 25,500 | 24,600 | 23,700 | 205 |
| 210 | 19.8 | 78.6 | 24,600 | 23,900 | 23,100 | 22,300 | 210 |
| 215 | 15.2 | 61.7 | 22,900 | 22,300 | 21,600 | 20,900 | 215 |



Liftcrane Boom Capacities

Boom No. 58 HL
332,000 lb Crane Counterweight
120,000 lb Carbody Counterweight
Crawler Machine on a Barge
0 Degree thru 3 Degree Machine List
No Travel - 360 Degree Rating - Two Swing Drives

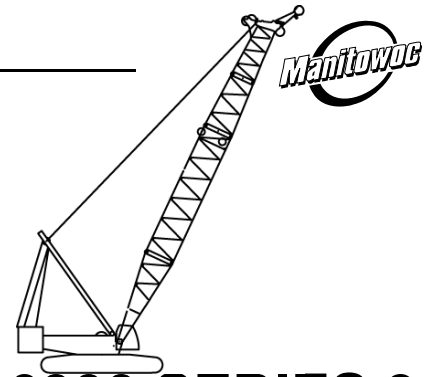


16000 SERIES 3

| Oper. Radius Feet | Boom Angle Deg. | Boom Point Elev. Feet | 0 Degree List Boom Capacity Pounds | 1 Degree List Boom Capacity Pounds | 2 Degree List Boom Capacity Pounds | 3 Degree List Boom Capacity Pounds | Oper. Radius Feet |
|-------------------|-----------------|-----------------------|------------------------------------|------------------------------------|------------------------------------|------------------------------------|-------------------|
| 236.2 ft | | | | | | | |
| 38 | 82.9 | 242.7 | 330,500 * | | | | 38 |
| 40 | 82.4 | 242.4 | 321,300 * | | | | 40 |
| 45 | 81.2 | 241.6 | 299,500 * | 233,400 * | | | 45 |
| 50 | 80.0 | 240.7 | 279,400 * | 219,000 * | 188,600 * | 165,600 * | 50 |
| 55 | 78.7 | 239.7 | 257,700 | 205,700 * | 178,000 * | 156,900 * | 55 |
| 60 | 77.5 | 238.5 | 226,400 | 193,200 * | 168,000 * | 148,500 * | 60 |
| 65 | 76.2 | 237.3 | 201,100 | 181,500 * | 158,600 * | 140,600 * | 65 |
| 70 | 75.0 | 235.9 | 180,200 | 165,300 | 149,700 * | 133,200 * | 70 |
| 75 | 73.7 | 234.4 | 162,600 | 150,000 | 138,000 | 126,200 * | 75 |
| 80 | 72.4 | 232.8 | 147,600 | 136,800 | 126,300 | 117,000 | 80 |
| 85 | 71.1 | 231.1 | 134,600 | 125,300 | 116,100 | 107,800 | 85 |
| 90 | 69.8 | 229.2 | 123,300 | 115,200 | 107,100 | 99,700 | 90 |
| 95 | 68.5 | 227.2 | 113,400 | 106,200 | 99,000 | 92,400 | 95 |
| 100 | 67.2 | 225.1 | 104,600 | 98,200 | 91,800 | 85,900 | 100 |
| 105 | 65.9 | 222.8 | 96,800 | 91,100 | 85,300 | 79,900 | 105 |
| 110 | 64.5 | 220.4 | 89,800 | 84,600 | 79,400 | 74,500 | 110 |
| 115 | 63.2 | 217.9 | 83,400 | 78,800 | 74,000 | 69,600 | 115 |
| 120 | 61.8 | 215.1 | 77,600 | 73,500 | 69,100 | 65,100 | 120 |
| 125 | 60.4 | 212.3 | 72,400 | 68,600 | 64,600 | 60,900 | 125 |
| 130 | 59.0 | 209.2 | 67,500 | 64,100 | 60,500 | 57,100 | 130 |
| 135 | 57.5 | 206.0 | 63,100 | 60,000 | 56,600 | 53,500 | 135 |
| 140 | 56.1 | 202.7 | 59,000 | 56,200 | 53,100 | 50,200 | 140 |
| 145 | 54.6 | 199.1 | 55,300 | 52,600 | 49,800 | 47,100 | 145 |
| 150 | 53.1 | 195.3 | 51,700 | 49,300 | 46,700 | 44,200 | 150 |
| 155 | 51.5 | 191.3 | 48,500 | 46,200 | 43,800 | 41,500 | 155 |
| 160 | 49.9 | 187.1 | 45,400 | 43,400 | 41,100 | 39,000 | 160 |
| 165 | 48.3 | 182.6 | 42,600 | 40,700 | 38,600 | 36,600 | 165 |
| 170 | 46.6 | 177.9 | 39,900 | 38,200 | 36,200 | 34,400 | 170 |
| 175 | 44.9 | 172.8 | 37,400 | 35,800 | 34,000 | 32,200 | 175 |
| 180 | 43.1 | 167.5 | 35,000 | 33,500 | 31,900 | 30,200 | 180 |
| 185 | 41.3 | 161.8 | 32,800 | 31,400 | 29,900 | 28,400 | 185 |
| 190 | 39.4 | 155.7 | 30,700 | 29,400 | 28,000 | 26,600 | 190 |
| 195 | 37.4 | 149.2 | 28,700 | 27,500 | 26,200 | 24,900 | 195 |
| 200 | 35.3 | 142.1 | 26,800 | 25,700 | 24,500 | 23,300 | 200 |
| 205 | 33.1 | 134.5 | 25,000 | 24,000 | 22,800 | 21,700 | 205 |
| 210 | 30.7 | 126.2 | 23,300 | 22,300 | 21,300 | 19,600 * | 210 |
| 215 | 28.2 | 117.0 | 21,600 | 20,700 * | 19,100 * | 17,400 * | 215 |
| 220 | 25.4 | 106.7 | 20,000 | 18,400 * | 16,800 * | 15,300 * | 220 |
| 225 | 22.3 | 94.9 | 18,500 | 16,100 * | 14,700 * | 13,300 * | 225 |
| 230 | 18.7 | 80.8 | 17,100 | 13,900 * | 12,600 * | 11,200 * | 230 |

Liftcrane Boom Capacities

Boom No. 58 HL
332,000 lb Crane Counterweight
120,000 lb Carbody Counterweight
Crawler Machine on a Barge
0 Degree thru 3 Degree Machine List
No Travel - 360 Degree Rating - Two Swing Drives



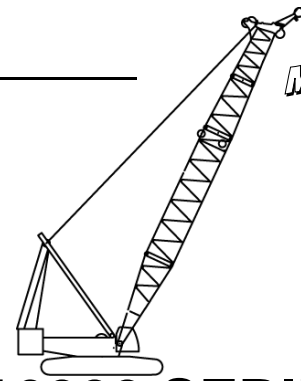
16000 SERIES 3

| Oper. Radius Feet | Boom Angle Deg. | Boom Point Elev. Feet | 0 Degree List Boom Capacity Pounds | 1 Degree List Boom Capacity Pounds | 2 Degree List Boom Capacity Pounds | 3 Degree List Boom Capacity Pounds | Oper. Radius Feet |
|-------------------|-----------------|-----------------------|------------------------------------|------------------------------------|------------------------------------|------------------------------------|-------------------|
| 255.9 ft | | | | | | | |
| 40 | 83.0 | 262.3 | 302,900 * | | | | 40 |
| 45 | 81.9 | 261.6 | 288,700 * | 216,400 * | | | 45 |
| 50 | 80.7 | 260.7 | 275,100 * | 206,700 * | 167,800 * | | 50 |
| 55 | 79.6 | 259.8 | 256,900 | 197,400 * | 165,100 * | 132,100 * | 55 |
| 60 | 78.5 | 258.7 | 225,600 | 188,600 * | 158,100 * | 131,400 * | 60 |
| 65 | 77.3 | 257.6 | 200,200 | 180,100 * | 151,500 * | 130,300 * | 65 |
| 70 | 76.1 | 256.3 | 179,200 | 163,100 | 145,000 * | 125,000 * | 70 |
| 75 | 75.0 | 254.9 | 161,500 | 147,900 | 135,100 | 119,900 * | 75 |
| 80 | 73.8 | 253.5 | 146,500 | 134,800 | 123,700 | 113,700 | 80 |
| 85 | 72.6 | 251.9 | 133,500 | 123,400 | 113,600 | 104,800 | 85 |
| 90 | 71.5 | 250.2 | 122,200 | 113,300 | 104,700 | 96,800 | 90 |
| 95 | 70.3 | 248.4 | 112,300 | 104,500 | 96,700 | 89,700 | 95 |
| 100 | 69.1 | 246.4 | 103,500 | 96,500 | 89,600 | 83,300 | 100 |
| 105 | 67.9 | 244.4 | 95,600 | 89,400 | 83,200 | 77,400 | 105 |
| 110 | 66.6 | 242.2 | 88,600 | 83,000 | 77,300 | 72,100 | 110 |
| 115 | 65.4 | 239.9 | 82,200 | 77,200 | 72,000 | 67,300 | 115 |
| 120 | 64.2 | 237.4 | 76,400 | 71,900 | 67,200 | 62,800 | 120 |
| 125 | 62.9 | 234.8 | 71,100 | 67,000 | 62,700 | 58,700 | 125 |
| 130 | 61.6 | 232.1 | 66,300 | 62,500 | 58,600 | 54,900 | 130 |
| 135 | 60.3 | 229.2 | 61,900 | 58,400 | 54,800 | 51,400 | 135 |
| 140 | 59.0 | 226.2 | 57,800 | 54,600 | 51,300 | 48,100 | 140 |
| 145 | 57.7 | 223.0 | 54,000 | 51,100 | 48,000 | 45,100 | 145 |
| 150 | 56.3 | 219.7 | 50,500 | 47,800 | 44,900 | 42,200 | 150 |
| 155 | 55.0 | 216.1 | 47,200 | 44,800 | 42,100 | 39,600 | 155 |
| 160 | 53.6 | 212.4 | 44,200 | 41,900 | 39,400 | 37,100 | 160 |
| 165 | 52.2 | 208.5 | 41,300 | 39,200 | 36,900 | 34,700 | 165 |
| 170 | 50.7 | 204.4 | 38,700 | 36,700 | 34,500 | 32,500 | 170 |
| 175 | 49.2 | 200.1 | 36,100 | 34,300 | 32,300 | 30,400 | 175 |
| 180 | 47.7 | 195.5 | 33,800 | 32,100 | 30,200 | 28,400 | 180 |
| 185 | 46.2 | 190.7 | 31,600 | 30,000 | 28,200 | 26,500 | 185 |
| 190 | 44.6 | 185.6 | 29,400 | 28,000 | 26,300 | 24,800 | 190 |
| 195 | 42.9 | 180.2 | 27,500 | 26,100 | 24,600 | 23,100 | 195 |
| 200 | 41.2 | 174.5 | 25,600 | 24,300 | 22,900 | 21,500 | 200 |
| 205 | 39.5 | 168.5 | 23,800 | 22,600 | 21,200 | 20,000 | 205 |
| 210 | 37.6 | 162.0 | 22,100 | 21,000 | 19,700 | 18,500 | 210 |
| 215 | 35.7 | 155.1 | 20,400 | 19,400 | 18,200 | 17,100 | 215 |
| 220 | 33.7 | 147.6 | 18,900 | 17,900 | 16,800 | 15,800 | 220 |
| 225 | 31.6 | 139.6 | 17,400 | 16,500 | 15,500 | 14,500 | 225 |
| 230 | 29.3 | 130.8 | 16,000 | 15,100 | 14,200 | 13,300 | 230 |
| 235 | 26.9 | 121.0 | 14,600 | 13,800 | 13,000 | 12,200 | 235 |
| 240 | 24.2 | 110.2 | 13,300 | 12,600 | 11,800 | 11,000 | 240 |
| 245 | 21.2 | 97.7 | 12,000 | 11,400 | 10,700 | 10,000 | 245 |
| 250 | 17.7 | 82.8 | 10,800 | 10,200 | | | 250 |



Liftcrane Boom Capacities

Boom No. 58 HL
 332,000 lb Crane Counterweight
 120,000 lb Carbody Counterweight
 Crawler Machine on a Barge
 0 Degree thru 3 Degree Machine List
 No Travel - 360 Degree Rating - Two Swing Drives

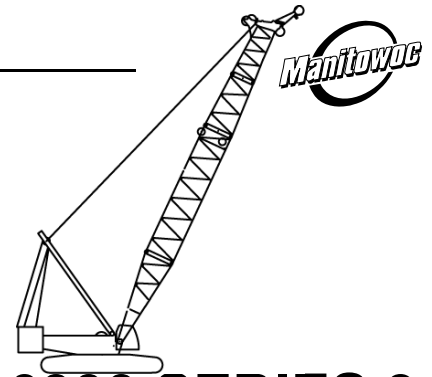


16000 SERIES 3

| Oper. Radius Feet | Boom Angle Deg. | Boom Point Elev. Feet | 0 Degree List Boom Capacity Pounds | 1 Degree List Boom Capacity Pounds | 2 Degree List Boom Capacity Pounds | 3 Degree List Boom Capacity Pounds | Oper. Radius Feet |
|-------------------|-----------------|-----------------------|------------------------------------|------------------------------------|------------------------------------|------------------------------------|-------------------|
| 275.6 ft | | | | | | | |
| 45 | 82.5 | 281.5 | 252,000 * | | | | 45 |
| 50 | 81.4 | 280.7 | 245,700 * | 184,900 * | | | 50 |
| 55 | 80.3 | 279.8 | 239,800 * | 182,300 * | 138,200 * | | 55 |
| 60 | 79.3 | 278.9 | 224,500 | 173,800 * | 137,200 * | 107,500 * | 60 |
| 65 | 78.2 | 277.8 | 199,000 | 165,800 * | 136,200 * | 106,800 * | 65 |
| 70 | 77.2 | 276.6 | 178,000 | 158,000 * | 133,200 * | 106,200 * | 70 |
| 75 | 76.1 | 275.4 | 160,300 | 145,600 | 127,200 * | 105,500 * | 75 |
| 80 | 75.0 | 274.0 | 145,200 | 132,600 | 120,700 | 104,800 * | 80 |
| 85 | 73.9 | 272.5 | 132,200 | 121,200 | 110,800 | 100,300 * | 85 |
| 90 | 72.8 | 271.0 | 120,800 | 111,300 | 102,000 | 93,700 | 90 |
| 95 | 71.7 | 269.3 | 110,900 | 102,400 | 94,200 | 86,700 | 95 |
| 100 | 70.6 | 267.5 | 102,100 | 94,500 | 87,100 | 80,400 | 100 |
| 105 | 69.5 | 265.6 | 94,200 | 87,500 | 80,800 | 74,700 | 105 |
| 110 | 68.4 | 263.6 | 87,100 | 81,100 | 75,000 | 69,500 | 110 |
| 115 | 67.3 | 261.5 | 80,700 | 75,300 | 69,800 | 64,700 | 115 |
| 120 | 66.1 | 259.2 | 74,900 | 70,000 | 65,000 | 60,300 | 120 |
| 125 | 65.0 | 256.9 | 69,600 | 65,100 | 60,500 | 56,200 | 125 |
| 130 | 63.8 | 254.4 | 64,800 | 60,700 | 56,500 | 52,500 | 130 |
| 135 | 62.7 | 251.8 | 60,400 | 56,600 | 52,700 | 49,000 | 135 |
| 140 | 61.5 | 249.1 | 56,300 | 52,800 | 49,200 | 45,800 | 140 |
| 145 | 60.3 | 246.2 | 52,500 | 49,300 | 45,900 | 42,800 | 145 |
| 150 | 59.1 | 243.2 | 49,000 | 46,000 | 42,900 | 40,000 | 150 |
| 155 | 57.8 | 240.0 | 45,700 | 43,000 | 40,100 | 37,300 | 155 |
| 160 | 56.6 | 236.7 | 42,600 | 40,100 | 37,400 | 34,900 | 160 |
| 165 | 55.3 | 233.2 | 39,800 | 37,400 | 34,900 | 32,500 | 165 |
| 170 | 54.0 | 229.6 | 37,100 | 34,900 | 32,600 | 30,300 | 170 |
| 175 | 52.7 | 225.7 | 34,600 | 32,600 | 30,400 | 28,300 | 175 |
| 180 | 51.4 | 221.7 | 32,200 | 30,300 | 28,300 | 26,300 | 180 |
| 185 | 50.0 | 217.5 | 30,000 | 28,200 | 26,300 | 24,500 | 185 |
| 190 | 48.6 | 213.1 | 27,900 | 26,200 | 24,400 | 22,700 | 190 |
| 195 | 47.2 | 208.4 | 25,900 | 24,300 | 22,700 | 21,000 | 195 |
| 200 | 45.8 | 203.6 | 24,000 | 22,600 | 21,000 | 19,400 | 200 |
| 205 | 44.3 | 198.4 | 22,200 | 20,900 | 19,400 | 17,900 | 205 |
| 210 | 42.7 | 193.0 | 20,500 | 19,200 | 17,800 | 16,500 | 210 |
| 215 | 41.2 | 187.3 | 18,900 | 17,700 | 16,400 | 15,100 | 215 |
| 220 | 39.5 | 181.2 | 17,300 | 16,200 | 15,000 | 13,800 | 220 |
| 225 | 37.8 | 174.8 | 15,800 | 14,800 | 13,700 | 12,500 | 225 |
| 230 | 36.1 | 168.0 | 14,400 | 13,500 | 12,400 | 11,300 | 230 |
| 235 | 34.2 | 160.6 | 13,100 | 12,200 | 11,200 | | 235 |
| 240 | 32.3 | 152.8 | 11,800 | 10,900 | 10,000 | | 240 |
| 245 | 30.2 | 144.3 | 10,500 | | | | 245 |
| 250 | 28.1 | 135.0 | 9,300 | | | | 250 |
| 255 | 25.7 | 124.8 | 8,100 * | | | | 255 |

Liftcrane Boom Capacities

Boom No. 58 HL
332,000 lb Crane Counterweight
120,000 lb Carbody Counterweight
Crawler Machine on a Barge
0 Degree thru 3 Degree Machine List
No Travel - 360 Degree Rating - Two Swing Drives



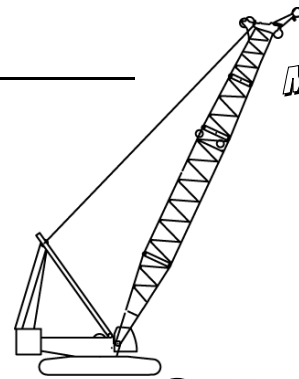
16000 SERIES 3

| Oper. Radius Feet | Boom Angle Deg. | Boom Point Elev. Feet | 0 Degree List Boom Capacity Pounds | 1 Degree List Boom Capacity Pounds | 2 Degree List Boom Capacity Pounds | 3 Degree List Boom Capacity Pounds | Oper. Radius Feet |
|-------------------|-----------------|-----------------------|------------------------------------|------------------------------------|------------------------------------|------------------------------------|-------------------|
| 295.3 ft | | | | | | | |
| 45 | 83.0 | 301.4 | 211,600 * | | | | 45 |
| 50 | 82.0 | 300.6 | 206,200 * | 153,100 * | | | 50 |
| 55 | 81.0 | 299.8 | 201,100 * | 151,700 * | 112,700 * | | 55 |
| 60 | 80.0 | 298.9 | 196,300 * | 150,300 * | 111,800 * | 86,100 * | 60 |
| 65 | 79.0 | 297.9 | 191,900 * | 148,800 * | 111,000 * | 85,500 * | 65 |
| 70 | 78.0 | 296.8 | 176,900 | 147,500 * | 110,100 * | 84,900 * | 70 |
| 75 | 77.0 | 295.7 | 159,200 | 142,400 * | 109,300 * | 84,400 * | 75 |
| 80 | 76.0 | 294.4 | 144,100 | 130,600 | 108,500 * | 83,800 * | 80 |
| 85 | 75.0 | 293.0 | 131,000 | 119,300 | 107,600 * | 83,200 * | 85 |
| 90 | 74.0 | 291.6 | 119,700 | 109,400 | 99,700 | 82,700 * | 90 |
| 95 | 73.0 | 290.0 | 109,700 | 100,700 | 91,900 | 82,200 * | 95 |
| 100 | 72.0 | 288.4 | 100,900 | 92,800 | 85,000 | 77,900 | 100 |
| 105 | 71.0 | 286.6 | 93,000 | 85,800 | 78,700 | 72,300 | 105 |
| 110 | 69.9 | 284.8 | 85,900 | 79,400 | 73,000 | 67,100 | 110 |
| 115 | 68.9 | 282.8 | 79,500 | 73,700 | 67,800 | 62,400 | 115 |
| 120 | 67.8 | 280.8 | 73,700 | 68,400 | 63,000 | 58,100 | 120 |
| 125 | 66.8 | 278.6 | 68,400 | 63,600 | 58,700 | 54,100 | 125 |
| 130 | 65.7 | 276.3 | 63,600 | 59,200 | 54,600 | 50,400 | 130 |
| 135 | 64.6 | 273.9 | 59,100 | 55,100 | 50,900 | 47,000 | 135 |
| 140 | 63.5 | 271.4 | 55,000 | 51,300 | 47,400 | 43,800 | 140 |
| 145 | 62.4 | 268.8 | 51,200 | 47,800 | 44,200 | 40,900 | 145 |
| 150 | 61.3 | 266.0 | 47,700 | 44,500 | 41,200 | 38,100 | 150 |
| 155 | 60.2 | 263.1 | 44,500 | 41,500 | 38,400 | 35,500 | 155 |
| 160 | 59.1 | 260.1 | 41,400 | 38,700 | 35,800 | 33,000 | 160 |
| 165 | 57.9 | 257.0 | 38,500 | 36,000 | 33,300 | 30,700 | 165 |
| 170 | 56.8 | 253.7 | 35,900 | 33,500 | 31,000 | 28,600 | 170 |
| 175 | 55.6 | 250.2 | 33,400 | 31,100 | 28,800 | 26,500 | 175 |
| 180 | 54.4 | 246.6 | 31,000 | 28,900 | 26,700 | 24,600 | 180 |
| 185 | 53.2 | 242.9 | 28,800 | 26,800 | 24,700 | 22,700 | 185 |
| 190 | 52.0 | 238.9 | 26,700 | 24,800 | 22,900 | 21,000 | 190 |
| 195 | 50.7 | 234.8 | 24,700 | 23,000 | 21,100 | 19,300 | 195 |
| 200 | 49.4 | 230.5 | 22,800 | 21,200 | 19,400 | 17,800 | 200 |
| 205 | 48.1 | 226.0 | 21,000 | 19,500 | 17,800 | 16,300 | 205 |
| 210 | 46.8 | 221.3 | 19,300 | 17,900 | 16,300 | 14,800 | 210 |
| 215 | 45.4 | 216.4 | 17,700 | 16,300 | 14,900 | 13,500 | 215 |
| 220 | 44.0 | 211.2 | 16,100 | 14,900 | 13,500 | 12,200 | 220 |
| 225 | 42.6 | 205.8 | 14,600 | 13,500 | 12,200 | 10,900 | 225 |
| 230 | 41.1 | 200.0 | 13,200 | 12,100 | 10,900 | | 230 |
| 235 | 39.6 | 194.0 | 11,900 | 10,900 | | | 235 |
| 240 | 38.0 | 187.6 | 10,600 | | | | 240 |
| 245 | 36.4 | 180.8 | 9,400 | | | | 245 |
| 250 | 34.7 | 173.6 | 8,200 | | | | 250 |
| 255 | 32.9 | 165.9 | 7,000 | | | | 255 |



Liftcrane Boom Capacities

Boom No. 58 HL
 332,000 lb Crane Counterweight
 120,000 lb Carbody Counterweight
 Crawler Machine on a Barge
 0 Degree thru 3 Degree Machine List
 No Travel - 360 Degree Rating - Two Swing Drives



16000 SERIES 3

| Oper. Radius Feet | Boom Angle Deg. | Boom Point Elev. Feet | 0 Degree List Boom Capacity Pounds |
|-------------------|-----------------|-----------------------|------------------------------------|
| 315.0 ft | | | |
| 50 | 82.5 | 320.5 | 178,400 * |
| 55 | 81.6 | 319.8 | 173,800 * |
| 60 | 80.6 | 318.9 | 169,500 * |
| 65 | 79.7 | 318.0 | 165,500 * |
| 70 | 78.8 | 317.0 | 161,600 * |
| 75 | 77.9 | 315.9 | 157,600 * |
| 80 | 76.9 | 314.7 | 142,700 |
| 85 | 76.0 | 313.4 | 129,600 |
| 90 | 75.0 | 312.1 | 118,200 |
| 95 | 74.1 | 310.6 | 108,200 |
| 100 | 73.1 | 309.1 | 99,400 |
| 105 | 72.2 | 307.5 | 91,500 |
| 110 | 71.2 | 305.7 | 84,400 |
| 115 | 70.3 | 303.9 | 78,000 |
| 120 | 69.3 | 302.0 | 72,100 |
| 125 | 68.3 | 300.0 | 66,800 |
| 130 | 67.3 | 297.9 | 62,000 |
| 135 | 66.3 | 295.7 | 57,500 |
| 140 | 65.3 | 293.4 | 53,400 |
| 145 | 64.3 | 290.9 | 49,600 |
| 150 | 63.3 | 288.4 | 46,100 |
| 155 | 62.3 | 285.8 | 42,800 |
| 160 | 61.2 | 283.0 | 39,800 |
| 165 | 60.2 | 280.1 | 36,900 |
| 170 | 59.1 | 277.1 | 34,200 |
| 175 | 58.0 | 273.9 | 31,700 |
| 180 | 56.9 | 270.7 | 29,300 |
| 185 | 55.8 | 267.3 | 27,100 |
| 190 | 54.7 | 263.7 | 25,000 |
| 195 | 53.6 | 260.0 | 23,000 |
| 200 | 52.4 | 256.1 | 21,100 |
| 205 | 51.3 | 252.1 | 19,300 |
| 210 | 50.1 | 247.9 | 17,600 |
| 215 | 48.9 | 243.5 | 16,000 |
| 220 | 47.7 | 239.0 | 14,500 |
| 225 | 46.4 | 234.2 | 13,000 |
| 230 | 45.1 | 229.2 | 11,600 |
| 235 | 43.8 | 224.0 | 10,200 |
| 240 | 42.4 | 218.5 | 8,900 |
| 245 | 41.1 | 212.8 | 7,700 |